



ONVIF 5 Megapixel IR Bullet

IP Camera



IP Surveillance

iMPIRVFB-5GM

NEW 2014 OCT. V1.0



- 5 Mega Pixel 1/3.2" CMOS Image Sensor.
- Real-time H.264, MJPEG Compression(Dual Codec).
- Resolution : 2560x1920.
- Simultaneous Multiple Streams.
- 42 IR LEDs, IR range 35M
- Supports ONVIF Standard to Simplify Integration and Enhance Interoperability.



iMPiRVFB-5GM 5 Megapixel IR Bullet IP Camera

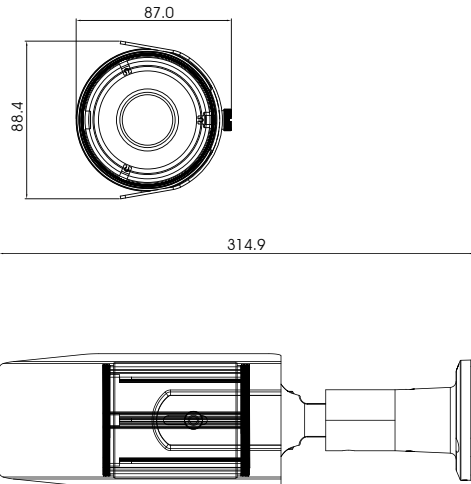


Full function cable



1. GND
2. Alarm output 1
3. Alarm input 2
4. Alarm input 1
5. DC12V input
6. Reset Button
7. Analog Video Out
8. Audio Line in
9. RJ-45 Ethernet LAN Port

Dimension Unit: mm



SPECIFICATIONS

| | | |
|----------------------------|---|---|
| System | CPU : Grain Media GM8137 | |
| | Flash : 16MB | |
| | RAM : 256MB | |
| Image Sensor | 5 Megapixel High Quality 1/3.2 CMOS Image Sensor | |
| Sensitivity | 0 Lux (IR ON) | |
| IR LEDs | 42PCS | |
| IR Range | 35M | |
| Lens | Varifocal 2.8~12mm F1.4 | |
| | Removable IR-cut filter for day & night function | |
| Video | H.264: 5MP(2560 x 1920) at 15fps | |
| | H.264: 3MP(2048 x 1536) at 25fps | |
| | H.264: 1600 x 1200 at 30fps | |
| | H.264: 1080P at 30fps | |
| | H.264: 720P at 30fps | |
| | H.264: VGA at 30fps | |
| | H.264: 270P at 30fps | |
| | H.264: 352 x 240 at 30fps | |
| | Compression: H.264, MJPEG Streaming: Dual Codec (H.264 · JPEG) Selectable | |
| | Support Simultaneous multiple streams | |
| Image Settings | Adjustable image size, quality, and bit rate | |
| | Time/Date stamp and text caption overlay. | |
| | BNC connector for video output, NTSC/PAL video output switch | |
| | Adjustable image size, quality, and bit rate | |
| | Time/Date stamp and text caption overlay. | |
| | Configurable brightness, contrast, saturation, sharpness, white balance and exposure AGC / AWB / AES / BLC / WDR | |
| Networking | Interface | 10/100 Mbps Ethernet, RJ-45 |
| | Supported Protocol | IPv4, TCP/IP, DHCP, HTTP, RTSP, SNTP, DNS |
| | Supported Browser | Microsoft Internet Explorer 6.0 |
| Alarm and Event Management | Motion Detection | |
| | Event notification using SMTP or FTP | |
| Users | 8 clients on-line monitoring at the same time | |
| | Multi-level user access control with password protection | |
| Maintenance | Supports online firmware upgrade | |
| I/O port | RJ-45 Ethernet x 1, DC Jack x 1, BNC Video out, Phone Jack Line in x 1, Alarm I/O, Reset Button | |
| IP Rating | IP66 | |
| Power | DC12V or PoE IEEE802.3af Class 0 | |
| Max. Power Consumption | 3.6W(IR OFF), 7W(IR ON) | |
| Weight | Netweight: 965g | |
| Dimension | 315 x 88 x 87 mm | |
| Operating Environments | Temperature: 0 ~ 45 °C | Humidity: 90% |

★Product specifications are subject to change without notice; please contact us for the latest information.

