



# ONVIF 2M 30X Outdoor IP-66

IR IP Speed Dome



IP Surveillance

## iMPIRPTZ30x-2P

NEW 2015 JULY. V1.0

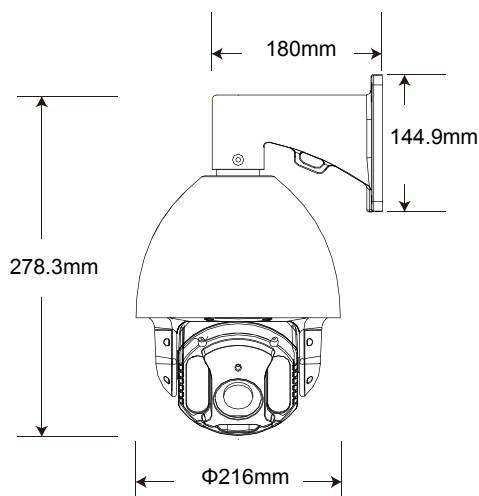
<b>2</b> MEGA PIXEL	Speed Dome	1/3" CMOS	0 Lux
LAN	H.264	1920x1080	30 FPS
CMS		IP 66	

- 1080P (1920 x 1080) high definition video recording.
- Maximum 30 times optical zoom with auto focus and maximum 62 times digital zoom .
- All controls & operation can be via IE browser.
- Automatic IR LED distances re-adjust
- Build-in video processing features such as DIS 、WDR 、Defog 、Freeze 、Privacy 、Motion 、Slow Shutter...etc...



# iMPIRPTZ30x-2P 2M 30X Outdoor IP-66 IR IP Speed Dome

Wall



## · SPECIFICATIONS

Lens Specs (Zoom LENS)	Optical Zoom	30X	
	Focus	4.5mm ~ 148.5mm (Auto Focus)	
	Least Focus Distance	1.5 meter (Tele Angle)	
	Aperture (F)	F1.6(wide) ~ F5.3(Tele)	
	Aperture Range	F1.6 ~ F32, CLOSE	
	Viewing Angle	Wide Angle 63.52° (Horizontal) / 38.36° (Vertical) Tele Angle 2.13° (Horizontal) / 1.20° (Vertical)	
Sensor Specs	Color Mode	Color(Day) / B&W(Night) Automatic Switching	
	Scanning System	Panasonic 1/3" Progressive CMOS Sensor	
	Effective Pixel (H×V)	2M pixels (1920 X 1080)	
	Resolution	1080P30 ( NTSC ) / 1080P25 ( PAL ) Output	
	Luminous	0 lux (IR ON)	
Imagine Processing Features	Digital Zoom	1x ~ 25x(ZOOM Set), 25x~62x(MENU Set)	
	Shutter / Sync Method	Auto · FLK · 1/60 ~ 1/50,000 / Internal Sync	
	AGC	x0 ~ x15	
	Sensitive Gain	x2 ~ x30	
	Brightness	x1 ~ x100	
	White Balance	AUTO · AWB · ATW · AWC · INDOOR · OUTDOOR	
	De-noise	2D · 3D	
	MIRROR	Horizontal, vertical & Flip	
	SHAPNESS	0 ~ 15	
	High Light Compensation	WDR · BLC · HSBLC(High Light Mask)	
	Special Features	De-fog · DIS · MOTION · Blemish Compensation · FREEZE · Day/Night PRIVACY · Slow-Shutter · Corner Remove	
	Transmission Specs	Compression Format	H.264 (1920 x 1080) @max. 30fps
		Interface	10/100 Mbps Ethernet , RJ-45
Protocol		IPv4,TCP/IP, DHCP, HTTP, FTP, SMTP,RTSP,SNTP,DNS	
Browser		Microsoft Internet Explorer 6.0 later version	
Text Display Function (Pre-OSD)		Time, date, or custom text display and can be set to display position	
Control Specs	control via IE	Speed dome/OSD MENU all functions can be controlled ( compatible with keyboard KB-100)	
	Run Preset Time	Over 1 Second	
	Horizontal / Vertical Speed	240°/S / 180°/S	
	Horizontal Rotation Range	360° continuous	
	Vertical Rotation Range	0° ~ 90°	
	Camera ID (Pre-set Point)	256 Points (Max.)	
	Pre-set Point Variance	±0.01°	
	Alarm	1 Channel input & 1 Channel output	
	IR LED Distance	8pcs High power IR LED over 100 M (Max.)	
Build-in Fan	Temperature controlled		
Power Supply	AC24V@3A / 40W (Max.)		
Operation Temperature	-20°C ~ +50°C		
Humidity Environment	0 ~90%RH		
Protection Level	IP66, Build-in fan, 3000V Lightning protection, Surge Protection.		

★ Product specifications are subject to change without notice; please contact us for the latest information.