



ONVIF 2 Megapixel IR Bullet

IP Camera



IP Surveillance

iMPIRVFB-2SN

NEW 2014 OCT. V1.0



- Sony Exmor 1/2.8" CMOS Image Sensor.
- Improved low-light performance.
- Real-time H.264, MJPEG Compression(Dual Codec).
- Resolution : 1920x1080.
- Simultaneous Multiple Streams.
- 42 IR LEDs, IR range 35M
- Supports ONVIF Standard to Simplify Integration and Enhance Interoperability.



iMPiRVFB-2SN 2 Megapixel IR Bullet IP Camera

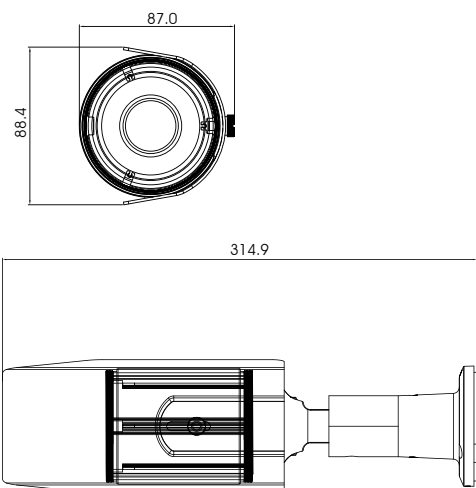


Full function cable



1. GND
2. Alarm output 1
3. Alarm input 2
4. Alarm input 1
5. DC12V input
6. Reset Button
7. Analog Video Out
8. Audio Line in
9. RJ-45 Ethernet LAN Port

Dimension Unit: mm



SPECIFICATIONS

System	Flash : 16MB	
	RAM : 128MB	
Image Sensor	FullHD High Quality 1/2.8" Sony Exmor CMOS Image Sensor	
Sensitivity	0 Lux (IR ON)	
IR LEDs	42PCS	
IR Range	35M	
Lens	Varifocal 2.8-12mm F1.4	
	Removable IR-cut filter for day & night function	
Video	H.264: 1920x1080 at 25fps	
	H.264: 1280x720 at 30fps	
	H.264: 640x480 at 30fps	
	Compression: H.264, MJPEG Streaming: Dual Codec (H.264 \ JPEG) Selectable Support Simultaneous multiple streams	
Image Settings	Adjustable image size, quality, and bit rate	
	Time/Date stamp and text caption overlay.	
	BNC connector for video output, NTSC/PAL video output switch	
	Adjustable image size, quality, and bit rate	
	Time/Date stamp and text caption overlay.	
	Configurable brightness, contrast, saturation, sharpness, white balance and exposure AGC / AWB / AES / BLC / WDR	
Networking	Interface	10/100 Mbps Ethernet, RJ-45
	Supported Protocol	IPv4, TCP/IP, DHCP, HTTP, RTSP, SNTP, DNS
	Supported Browser	Microsoft Internet Explorer 6.0 or above Safari, Chrome or Firefox
Alarm and Event Management	Motion Detection	
	Event notification using SMTP or FTP	
Users	8 clients on-line monitoring at the same time	
	Multi-level user access control with password protection	
Maintenance	Supports online firmware upgrade	
I/O port	RJ-45 Ethernet x 1, DC Jack x 1, BNC Video out, Phone Jack Line in x 1, Alarm I/O, Reset Button	
IP Rating	IP66	
Power	DC12V or PoE IEEE802.3af Class 0	
Max. Power Consumption	3.6W(IR OFF), 7W(IR ON)	
Weight	Netweight: 965g	
Dimension	315 x 88 x 87 mm	
Operating Environments	Temperature: 0 ~ 45 °C	
	Humidity: 90%	

★Product specifications are subject to change without notice; please contact us for the latest information.

